

ARCHITECTURAL DRAFTING & DESIGN

Architectural Woodworking



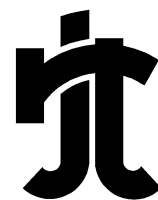
Cabinetry & Furniture



Stairs



Floor Plans



RJT DESIGNS

PO Box 541

Waterford, CT 06385

P: 860.514.0146 F: 203.286.2171

E: cadservice@rjtdesigns.com W: www.rjtdesigns.com



This document is the property of RJT DESIGNS.
No part of this work may be reproduced in any manner whatsoever
without the prior written permission from RJT DESIGNS.



RJT DESIGNS

PO Box 541

Waterford, CT 06385

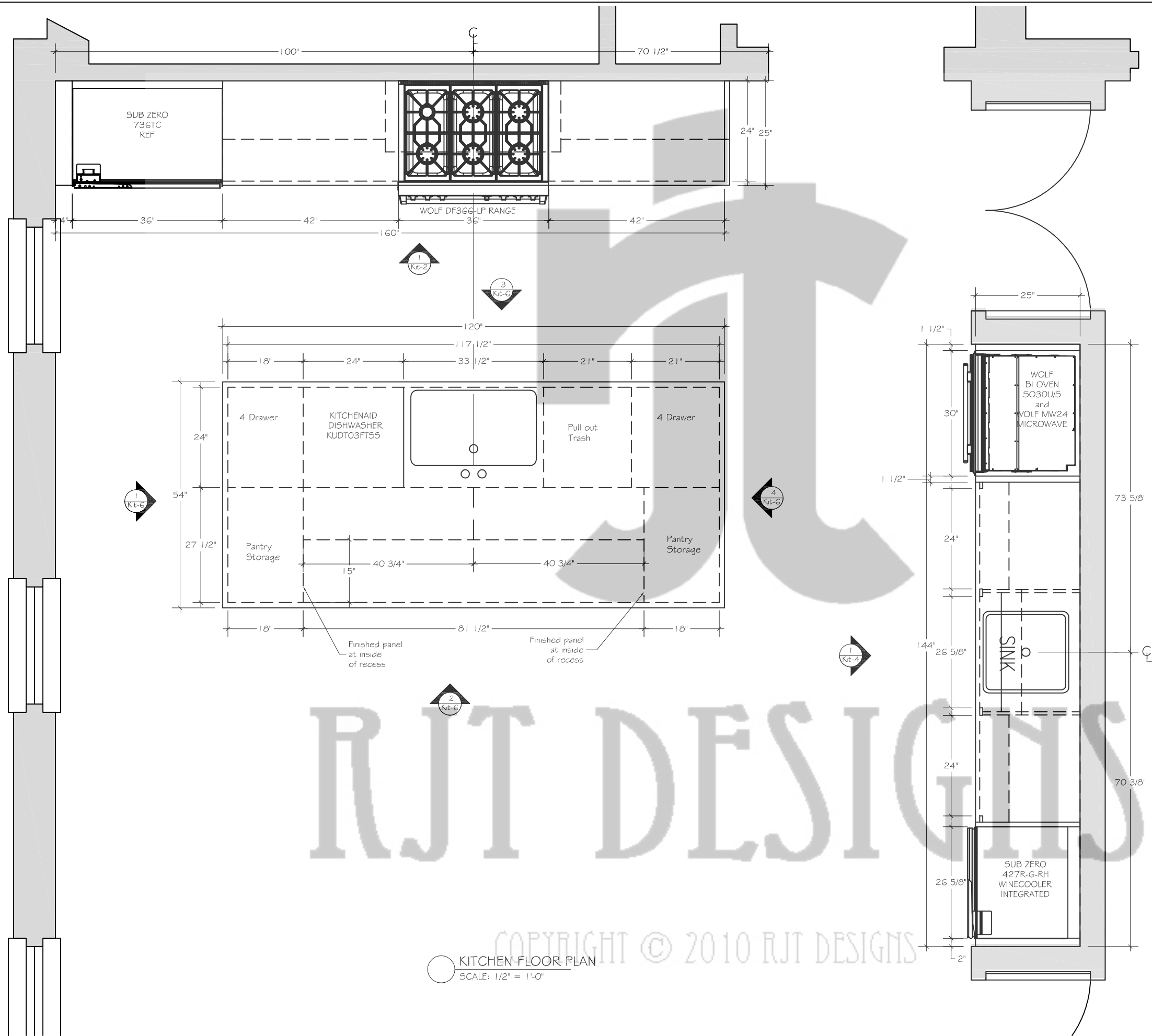
P: 860.514.0146 F: 203.286.2171

E: cadservice@rjtdesigns.com W: www.rjtdesigns.com

KITCHENS



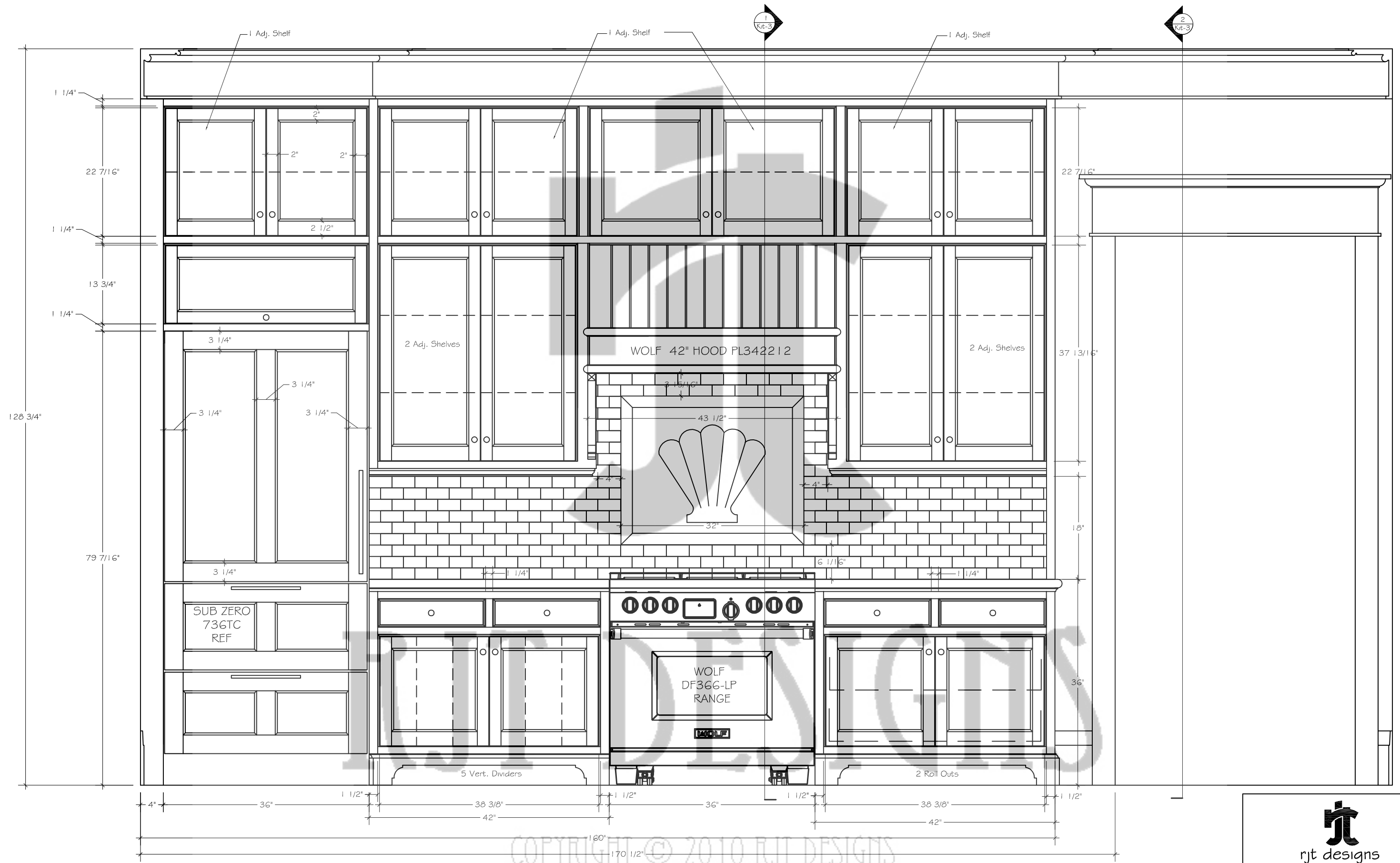
RJT DESIGNS



KITCHEN FLOOR PLAN
 SCALE: 1/2" = 1'-0"
 COPYRIGHT © 2010 RJT DESIGNS


rjt designs
 Architectural Drafting & Design

Kitchen Floorplan	Date: 4/09/07	5
	Revised: 1/09/08	
Kit-1		



COPYRIGHT © 2010 RJT DESIGNS

1 KITCHEN ELEVATION
SCALE: 3/4" = 1'-0"



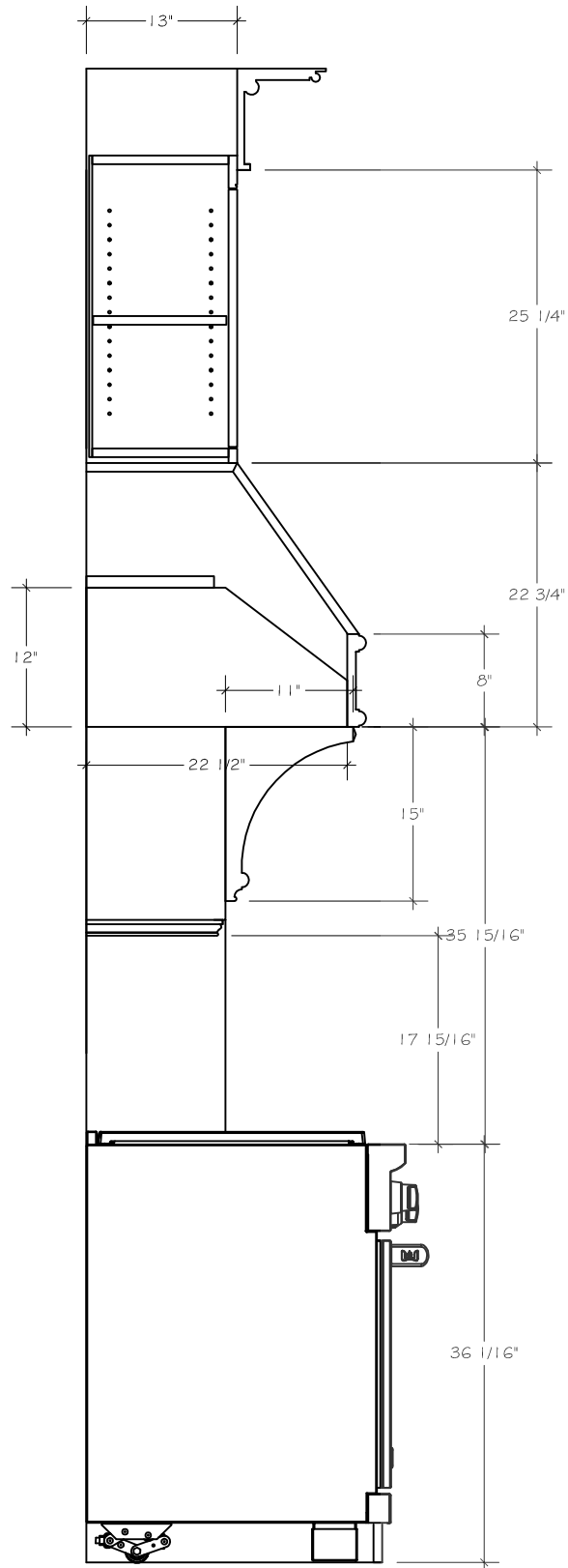
rjt designs

Architectural Drafting & Design

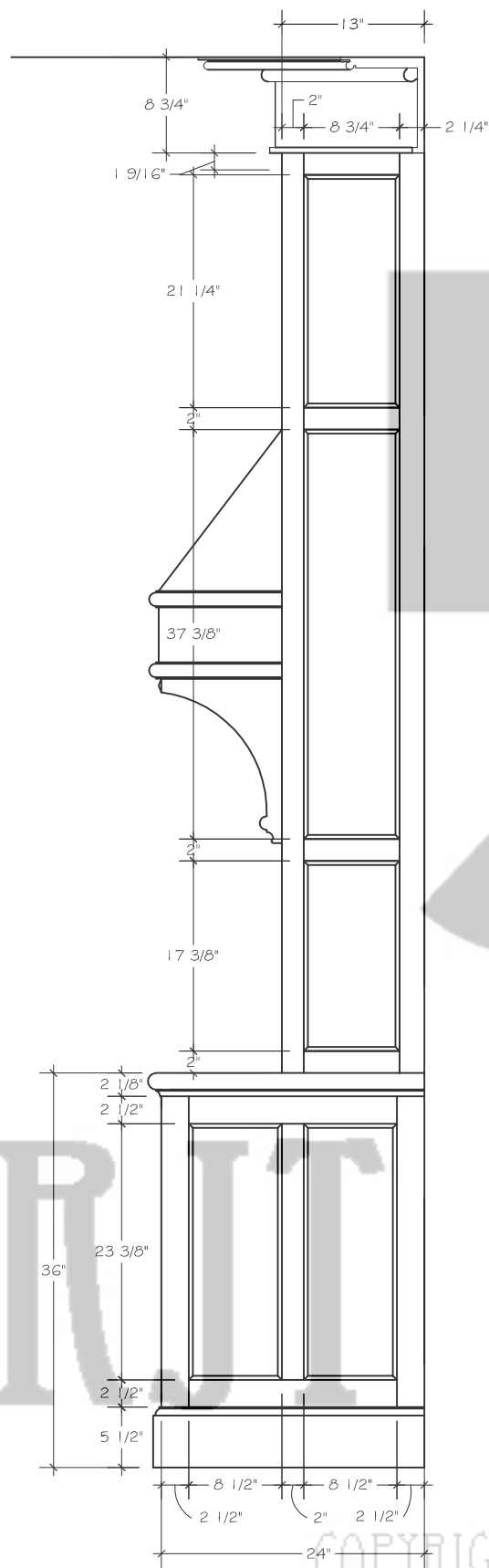
Kitchen Elevations

Date: 4/09/07
Revised: 1/09/08
Kit-2

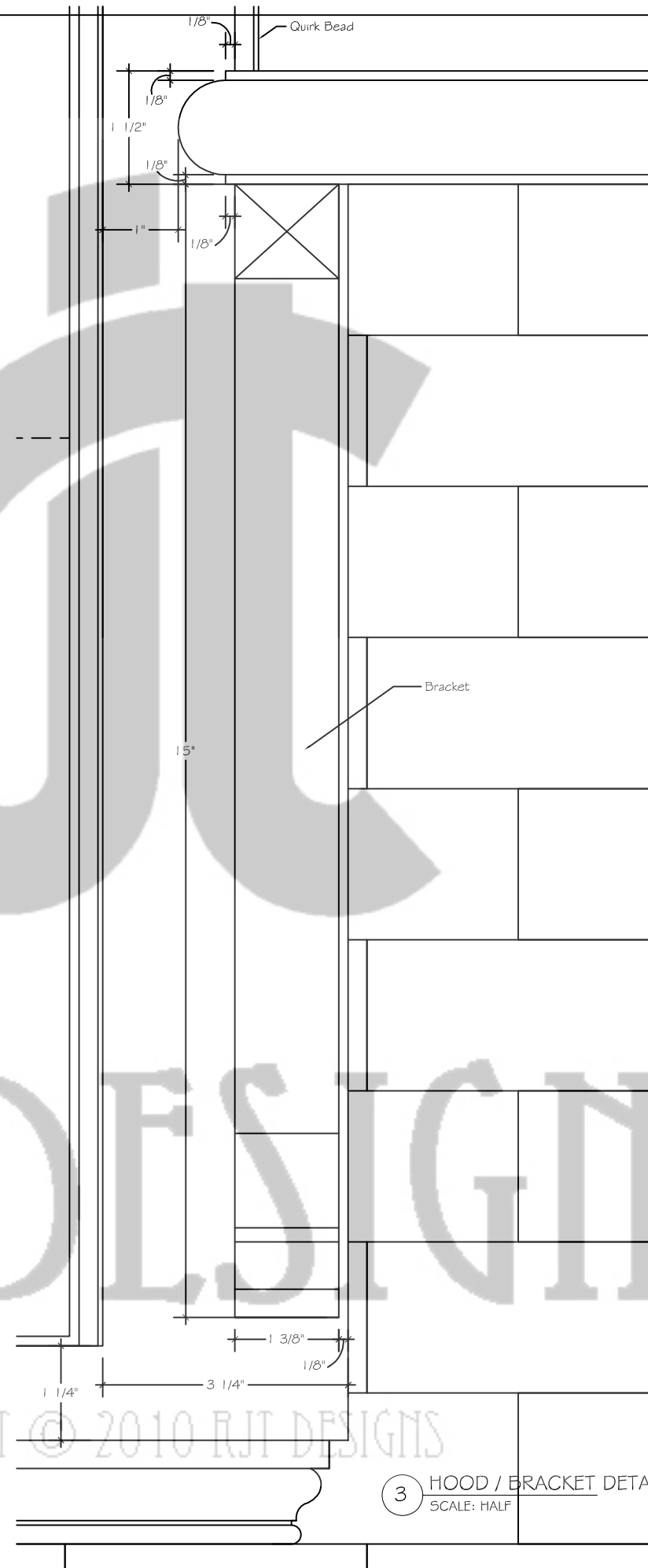
5



1 KITCHEN SECTION
SCALE: 3/4" = 1'-0"



2 KITCHEN ELEVATION
SCALE: 3/4" = 1'-0"



3 HOOD / BRACKET DETAIL
SCALE: HALF

RJT DESIGNS

COPYRIGHT © 2010 RJT DESIGNS



rjt designs

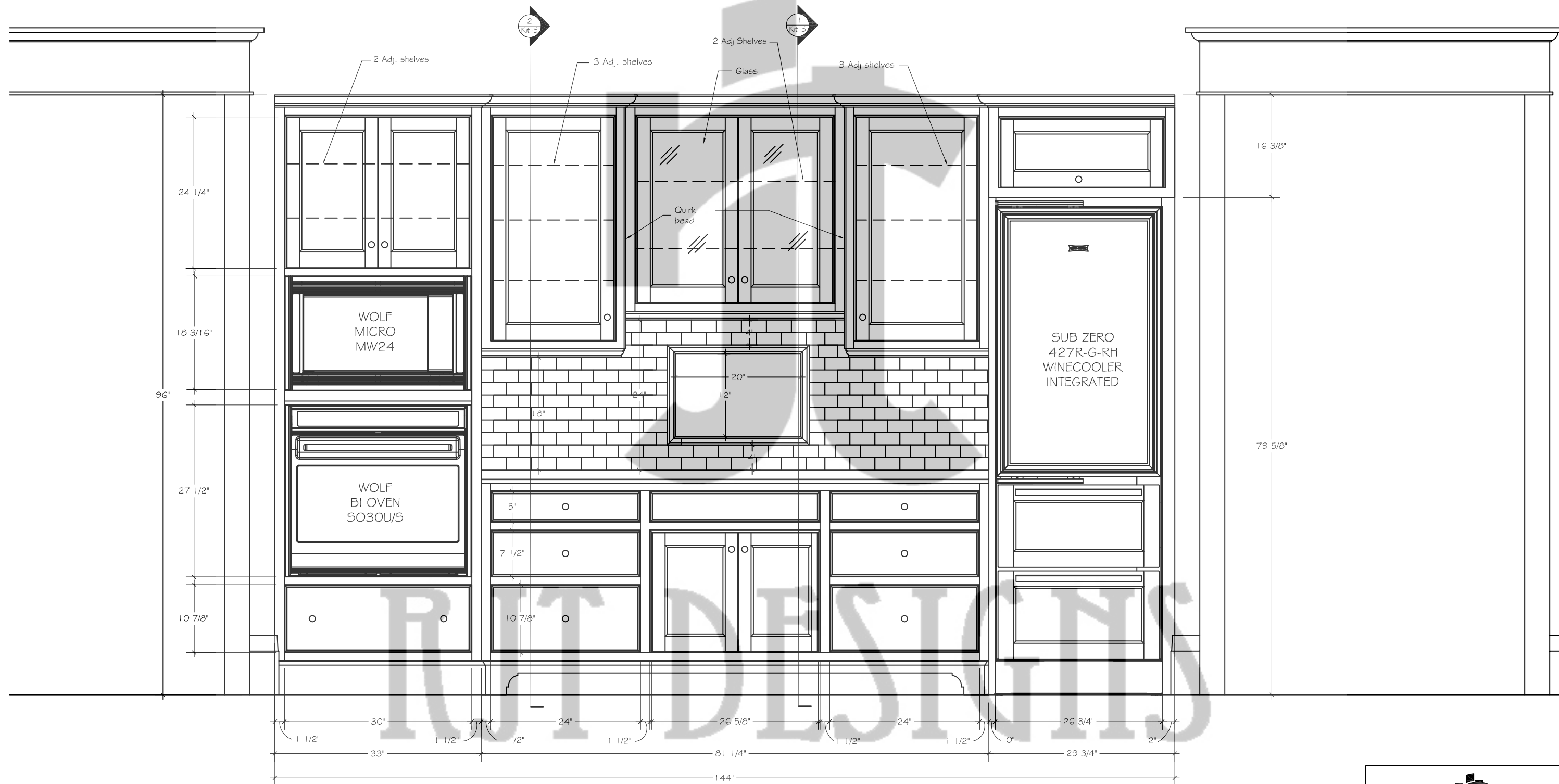
Architectural Drafting & Design

Kitchen Elevations

Date: 4/09/07
Revised: 1/09/08

Kit-3

5



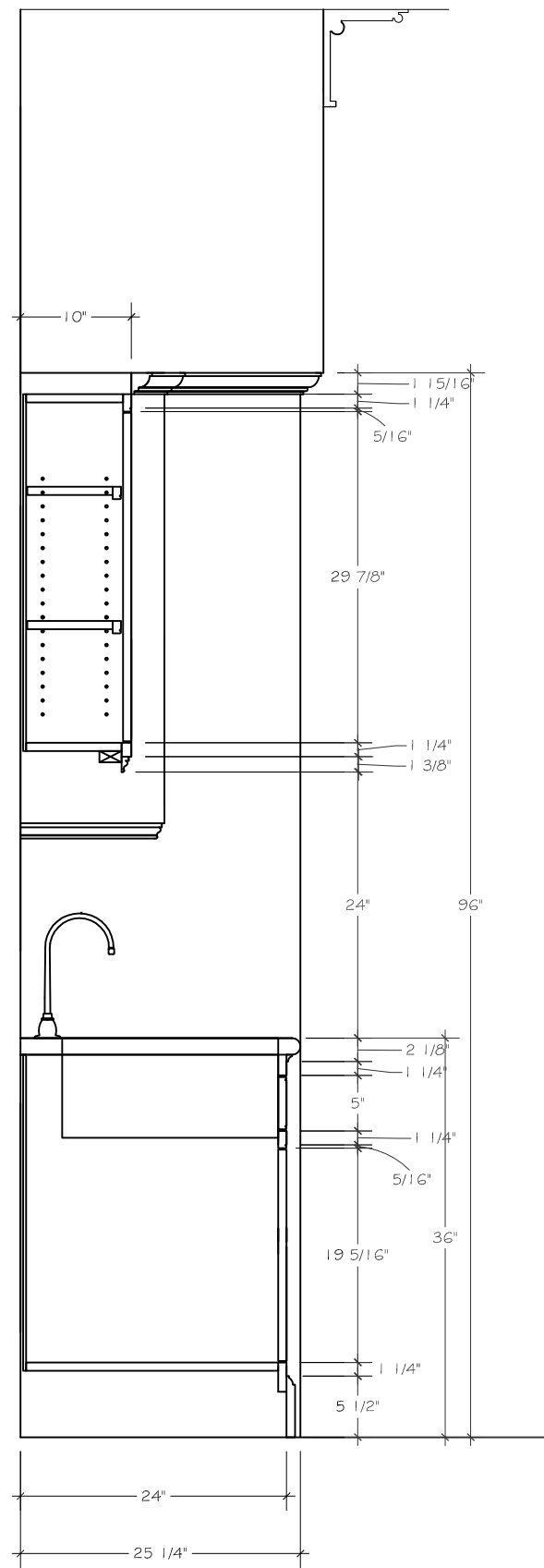
COPYRIGHT © 2010 RJT DESIGNS

1 KITCHEN ELEVATION
SCALE: 3/4" = 1'-0"

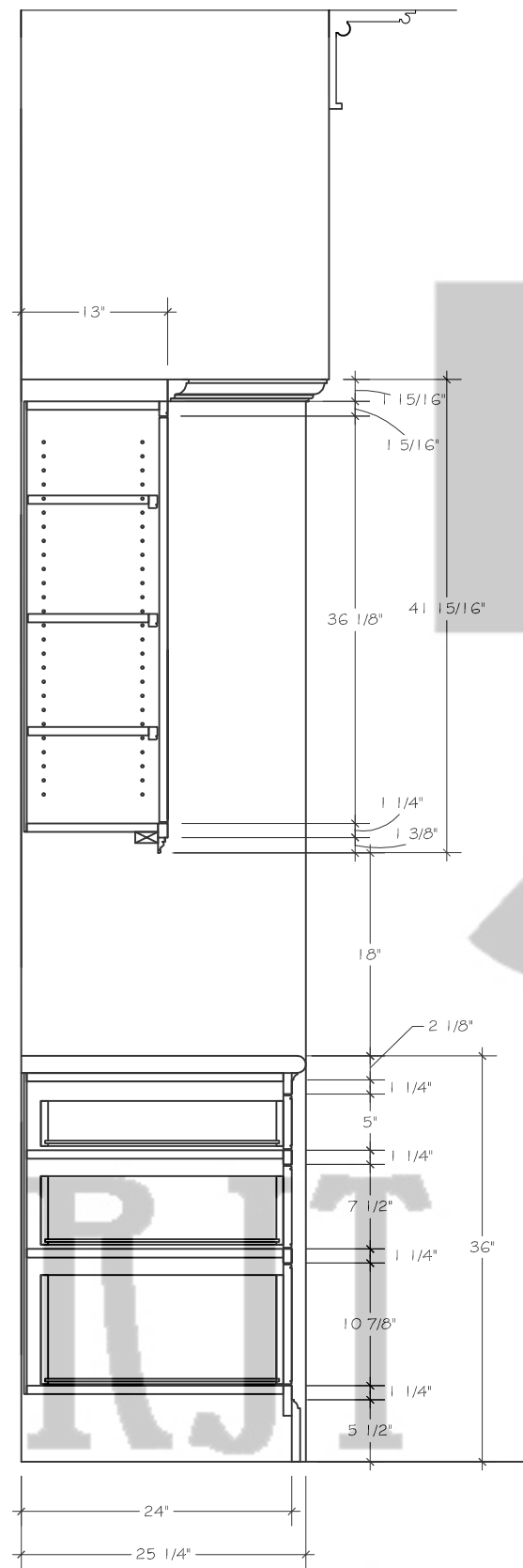


rjt designs
Architectural Drafting & Design

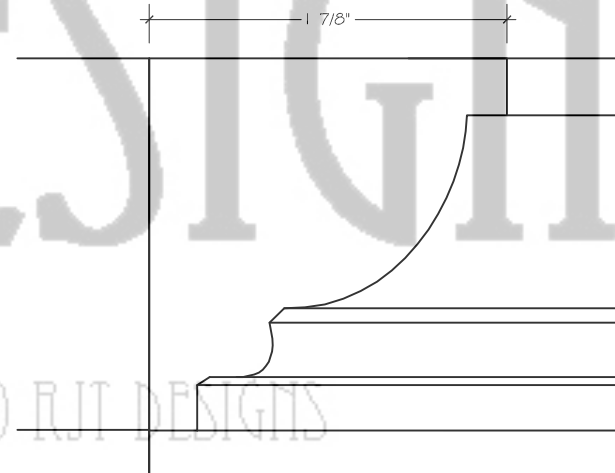
Kitchen Elevations	Date: 4/09/07 Revised: 1/09/08	Rev.
	Kit-4	5



1 KITCHEN SECTION
 SCALE: 3/4" = 1'-0"



2 KITCHEN SECTION
 SCALE: 3/4" = 1'-0"

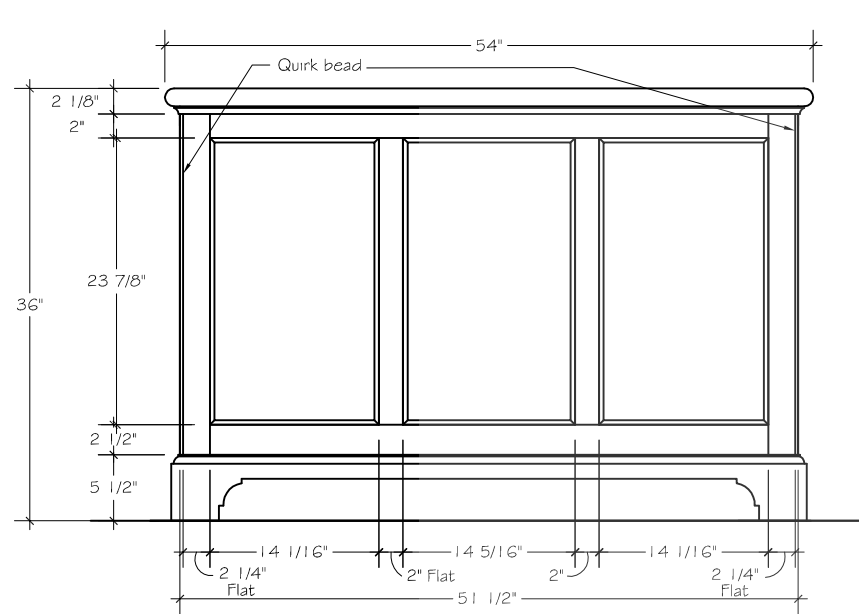


3 CROWN DETAIL
 SCALE: FULL

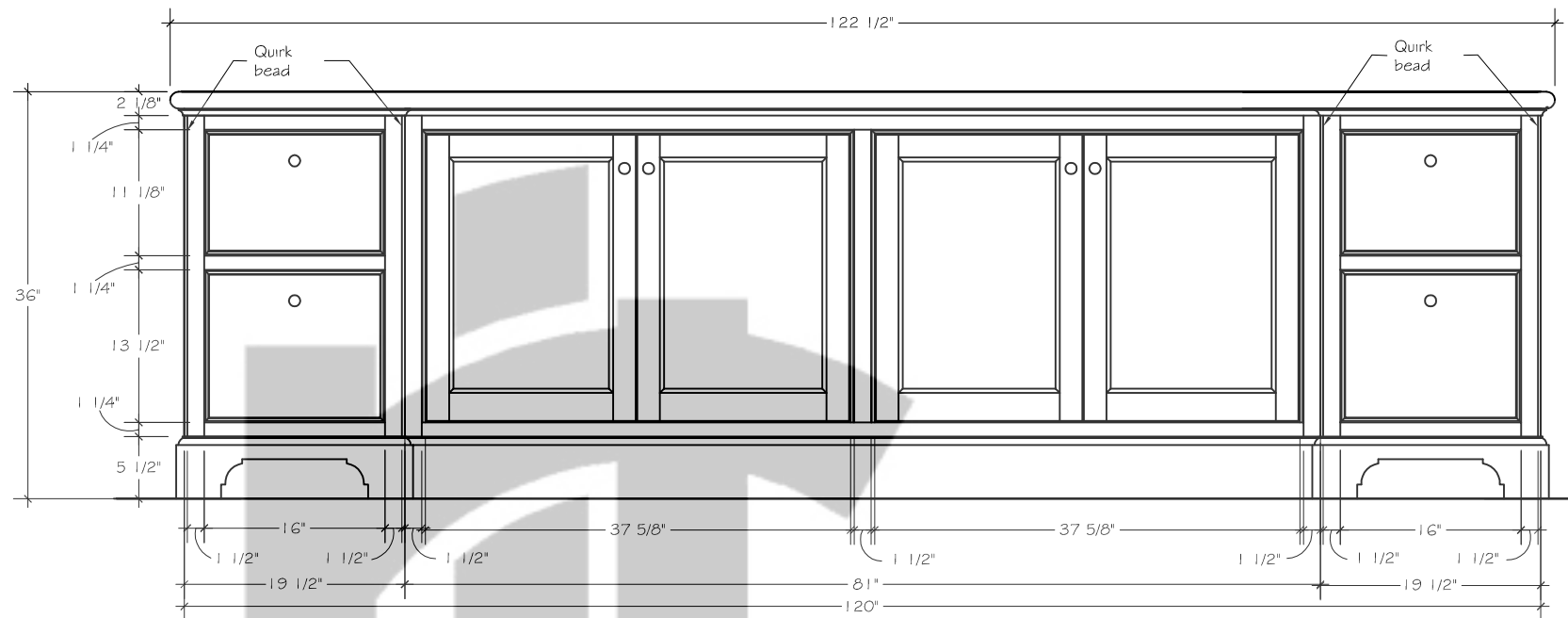
COPYRIGHT © 2010 RJT DESIGNS


 rjt designs
 Architectural Drafting & Design

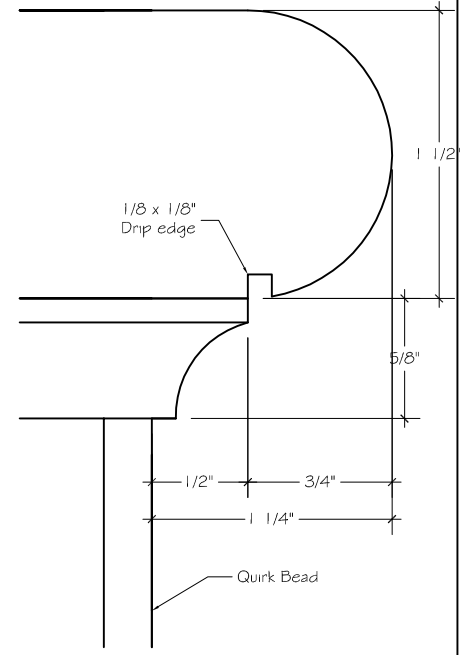
Kitchen Elevations	Date: 4/09/07 Revised: 1/09/08	Rev. 5
	Kit-5	5



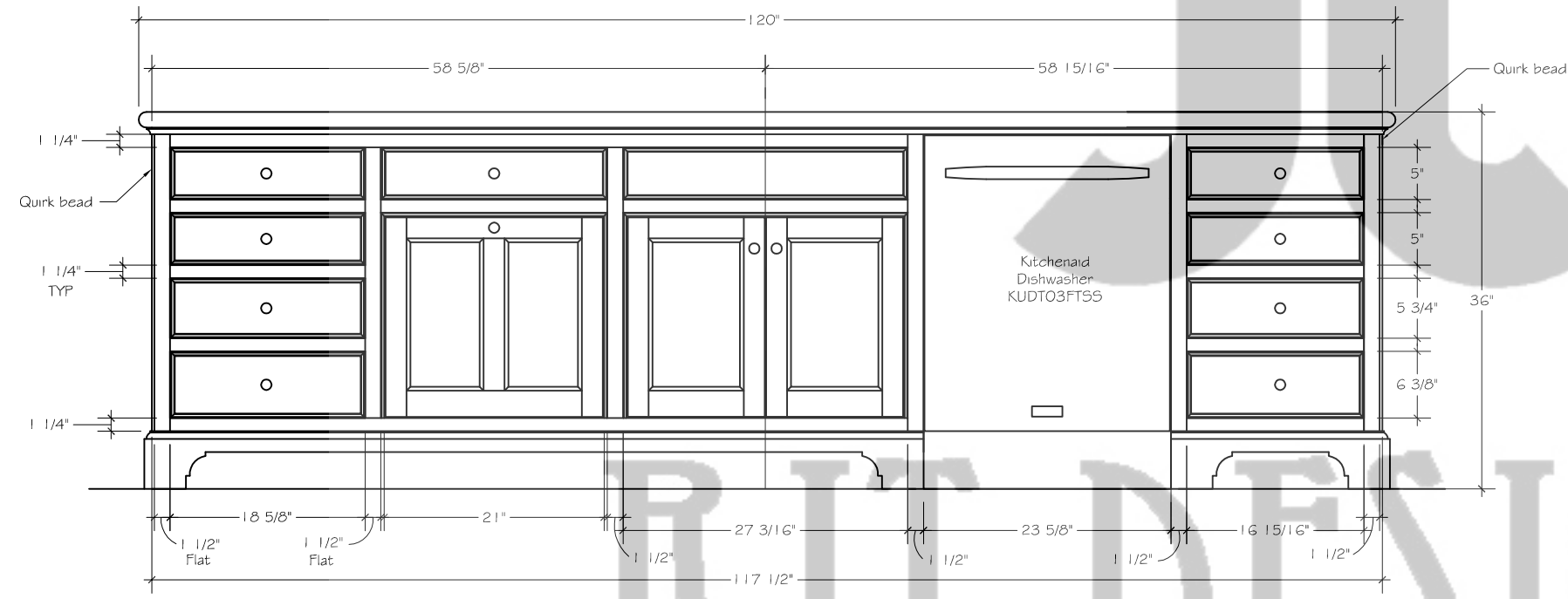
1 ISLAND ELEVATION
SCALE: 3/4" = 1'-0"



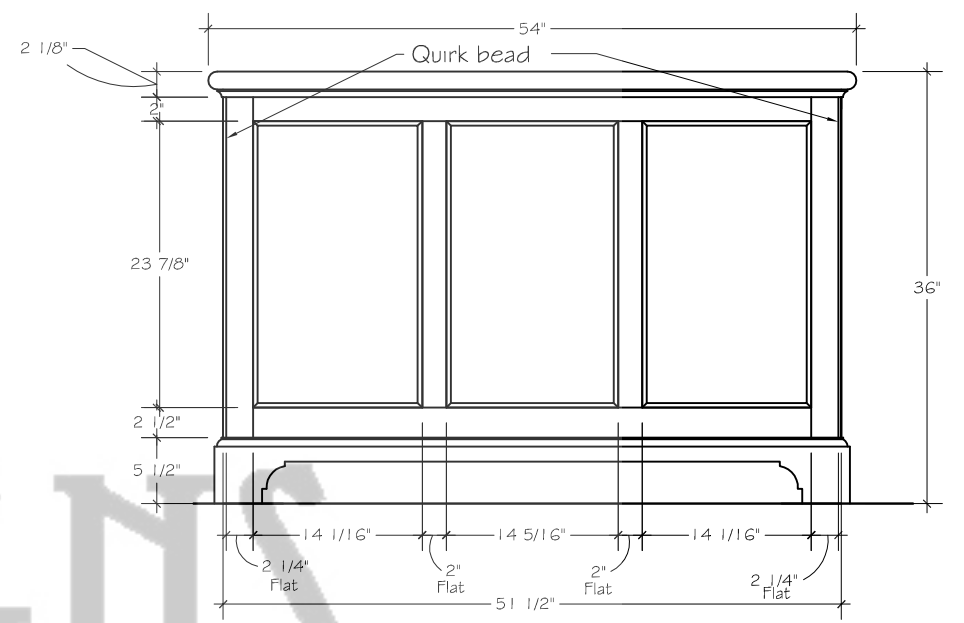
2 ISLAND ELEVATION
SCALE: 3/4" = 1'-0"



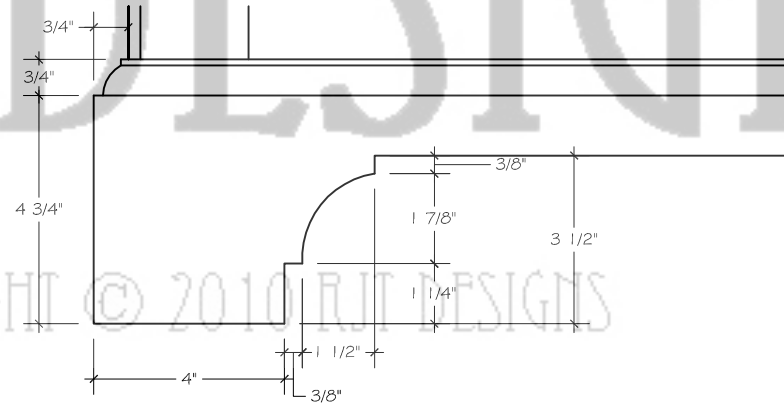
5 COUNTER DETAIL
SCALE: FULL



3 ISLAND ELEVATION
SCALE: 3/4" = 1'-0"




4 ISLAND ELEVATION
SCALE: 3/4" = 1'-0"



5 ISLAND BASE DETAIL
SCALE: 3" = 1'-0"

COPYRIGHT © 2010 RJT DESIGNS

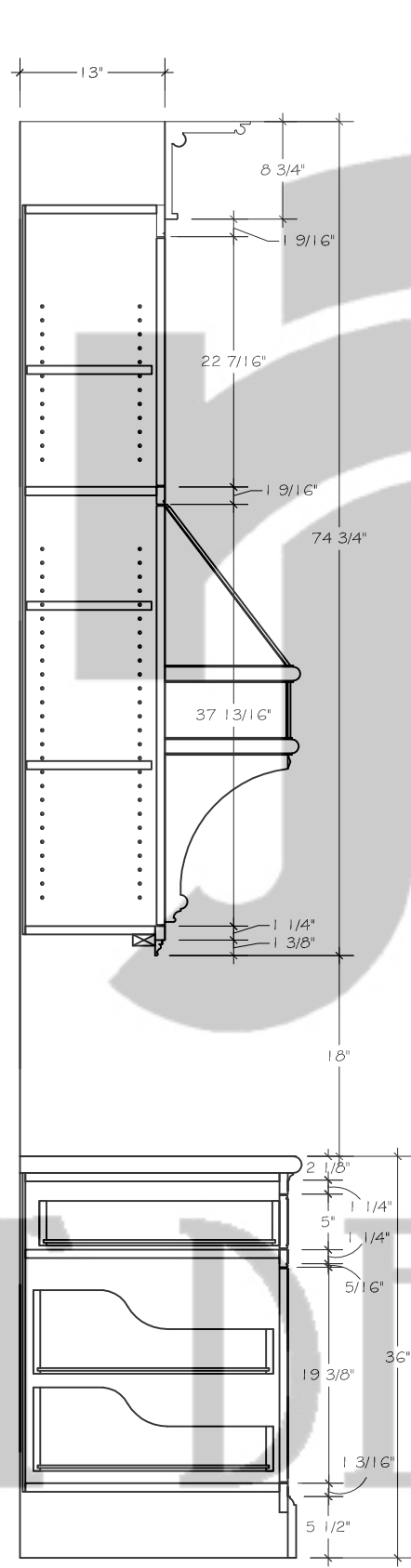


rjt designs
Architectural Drafting & Design

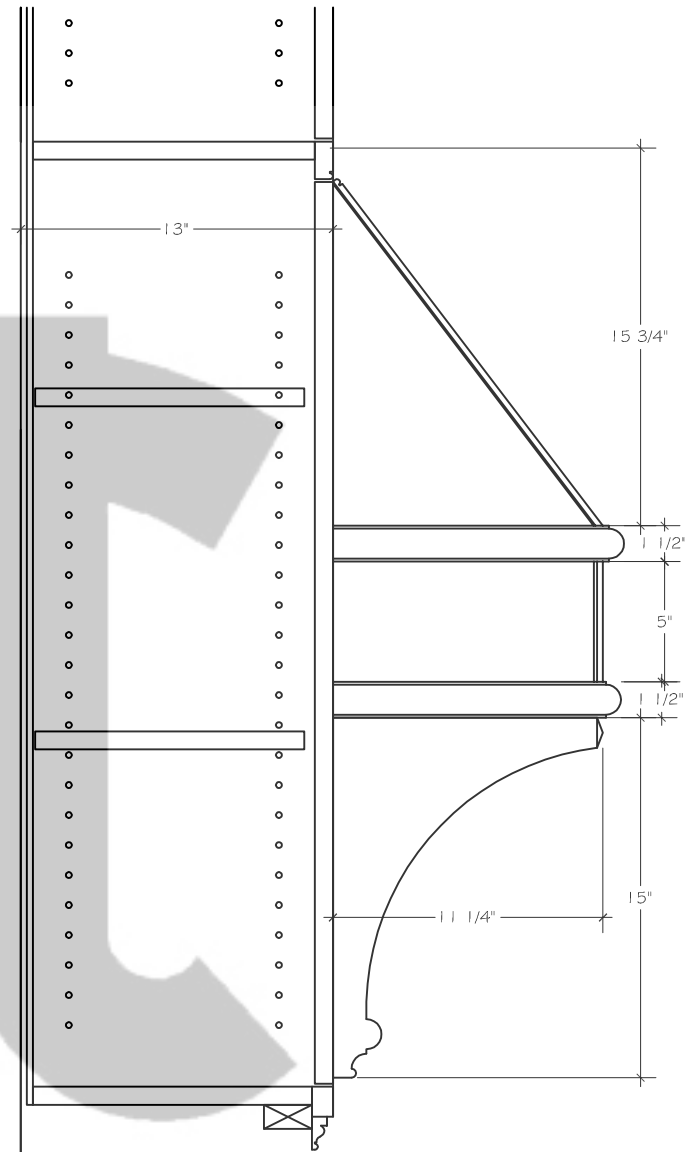
Island Elevations	Date: 4/09/07 Revised: 1/09/08	Rev. 5
	Kit-6	



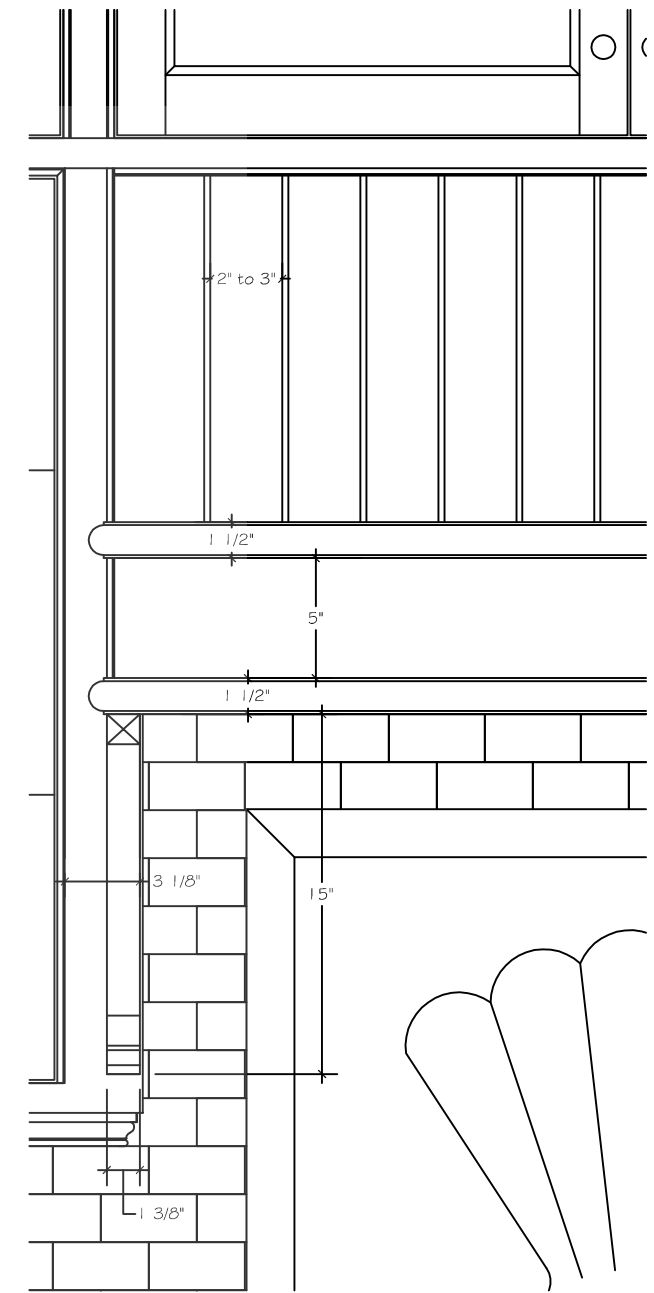
1 CABINET DETAIL
SCALE: 3/4" = 1'-0"



2 CABINET DETAIL
SCALE: 3/4" = 1'-0"



3 HOOD - SECTION
SCALE: 1-1/2" = 1'-0"



4 HOOD ELEVATION
SCALE: 1-1/2" = 1'-0"

COPYRIGHT © 2010 RJT DESIGNS


rjt designs
 Architectural Drafting & Design

Kitchen Sections	Date: 4/09/07 Revised: 1/09/08
	Kit-7 Rev: 5